

# Direct Drive Centrifugal Fan Model 574 & 574(101/108)



**Motor**  
0.18kW

**Weight**  
8&9Kg

**Phase**  
1&3

**Max Inlet Temp**  
40&300 Deg C

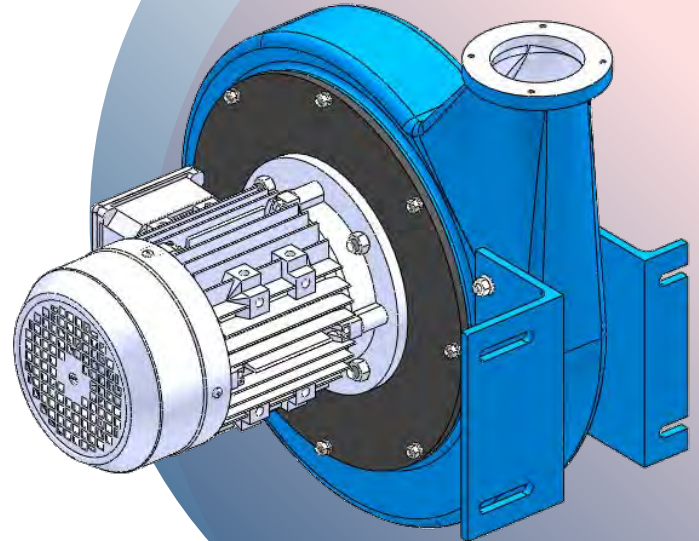
**Max Current**  
1.1&1A

**Noise Level**  
65dB(A)

Current readings are based upon voltages of 400V 3 Phase and 240V 1 Phase

Noise levels have been measured at a distance of 1m from the blower, which was fitted a ducted outlet.

Picture depicts Model 574(101/108)



Actual product image may vary for different models

## Performance Curve

