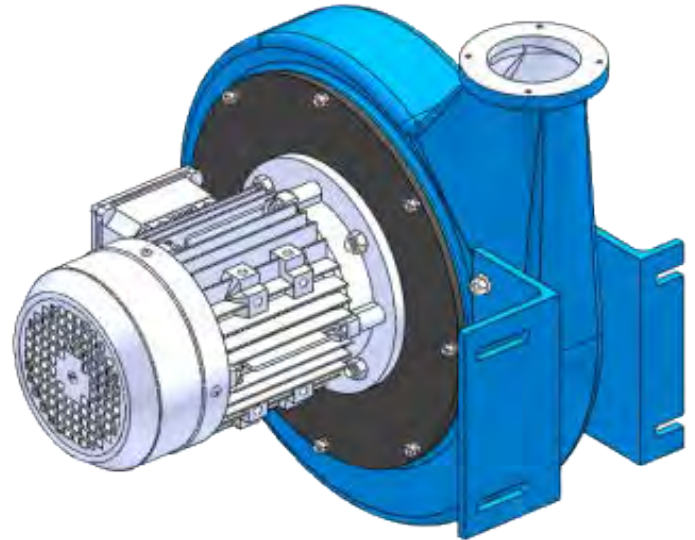


HIGH PRESSURE AIRFLOW FOR COOLING & HEATING

- Belt & Bearing-Free Design
- Increase Pressure By Up To 5.2 mbar
- High-Strength Industrial Design
- Energy Efficient Motor Technology
- Very Compact For Easy Installation
- No Maintenance

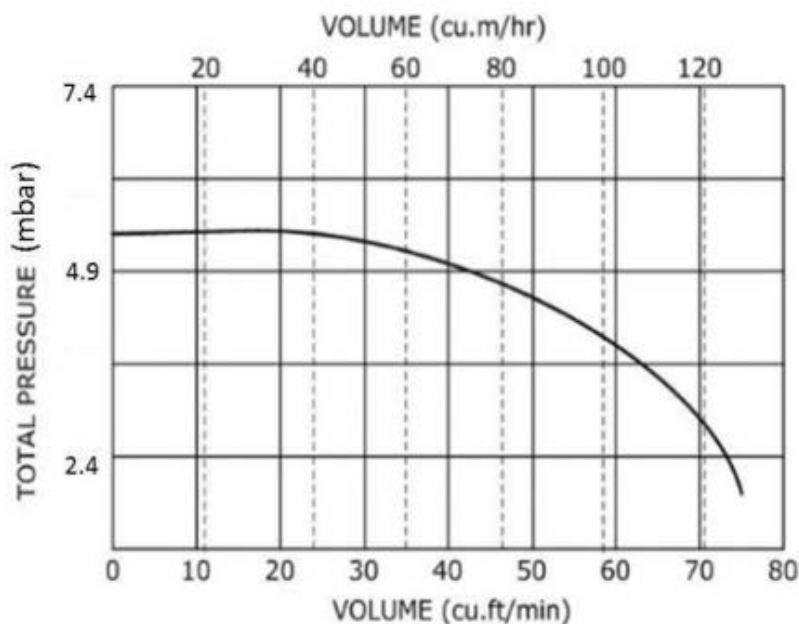
	573	573/102
Motor	0.18 kW	0.18 kW
Weight	6 kg	8 kg
Phase	1	1
Noise Level	62 dB(A)	62 dB(A)
Voltage	240 V	240 V
Frequency	50 / 60 Hz	50 / 60 Hz
Run Current	1.0 A	1.0 A
Max Inlet Air*	40 °C	300 °C

*300°C Inlet Temperature Represents High Temperature variant.

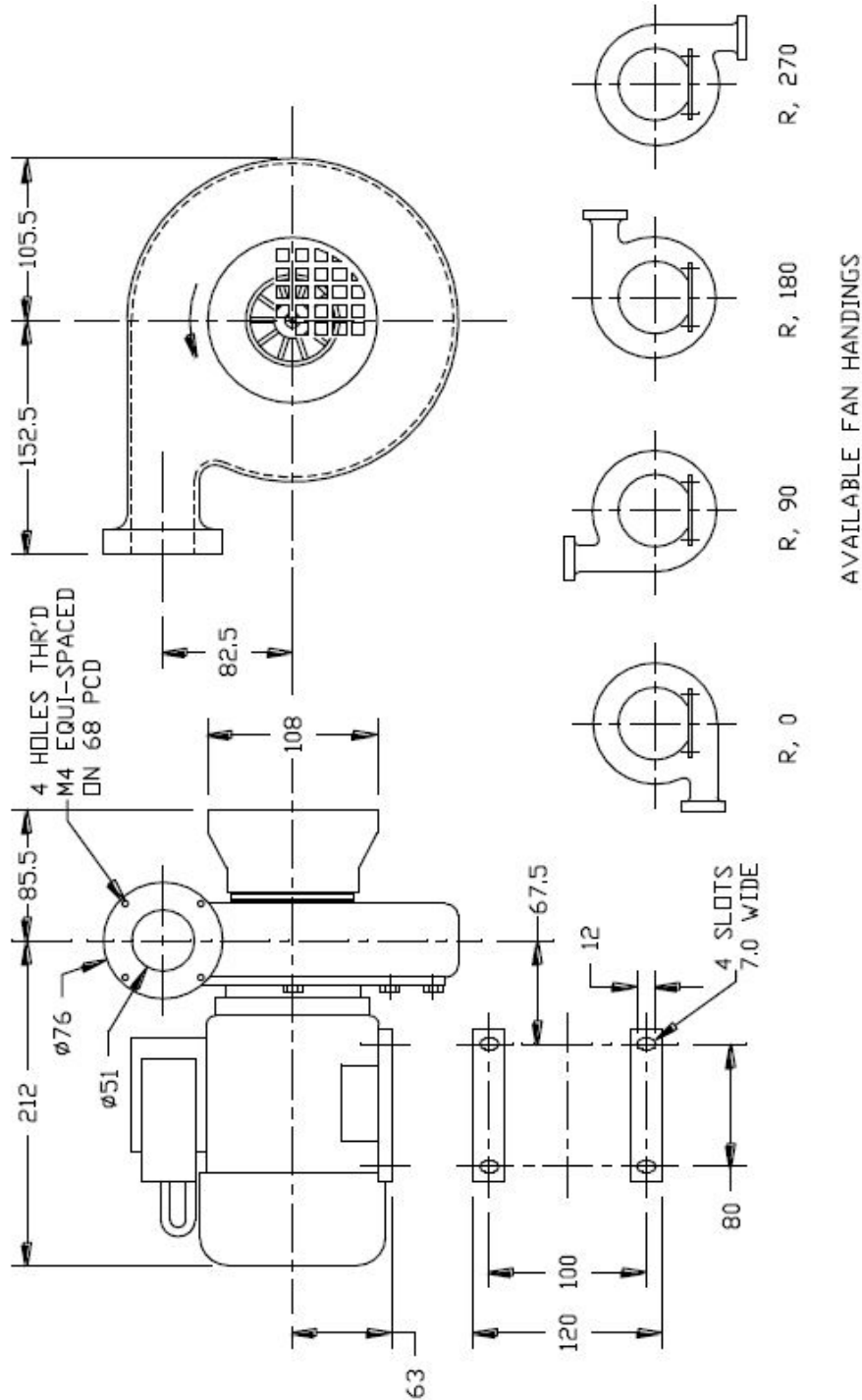


Product supplied may differ from image based on pressure requirements.
Image represents Model 573 Direct Drive Fan.

PERFORMANCE CURVE



TECHNICAL DRAWING: Model 573



All Dimensions In mm