

HIGH PRESSURE AIRFLOW FOR COOLING & HEATING

- Belt & Bearing-Free Design
- Increase Pressure By Up To 17 mbar
- High-Strength Industrial Design
- Energy Efficient Motor Technology
- Very Compact For Easy Installation
- No Maintenance

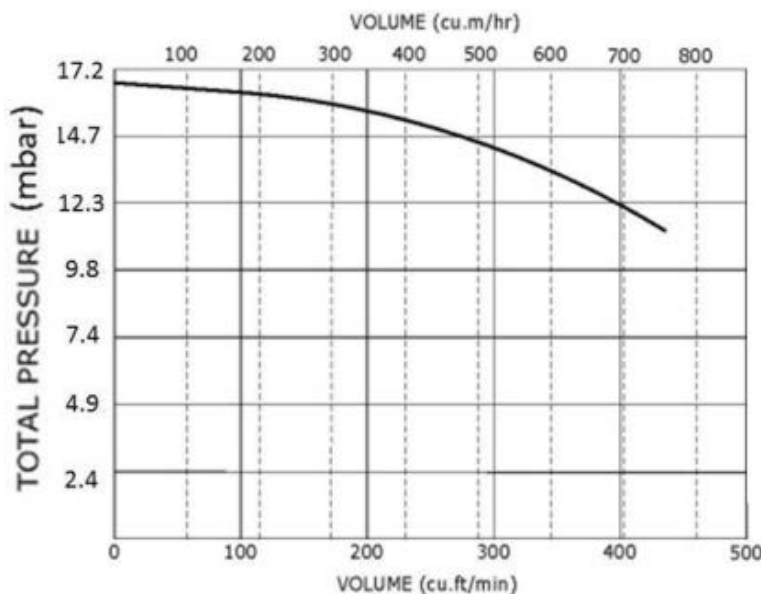


Product supplied may differ from image based on pressure requirements. Image represents Model 669 Direct Drive Fan.

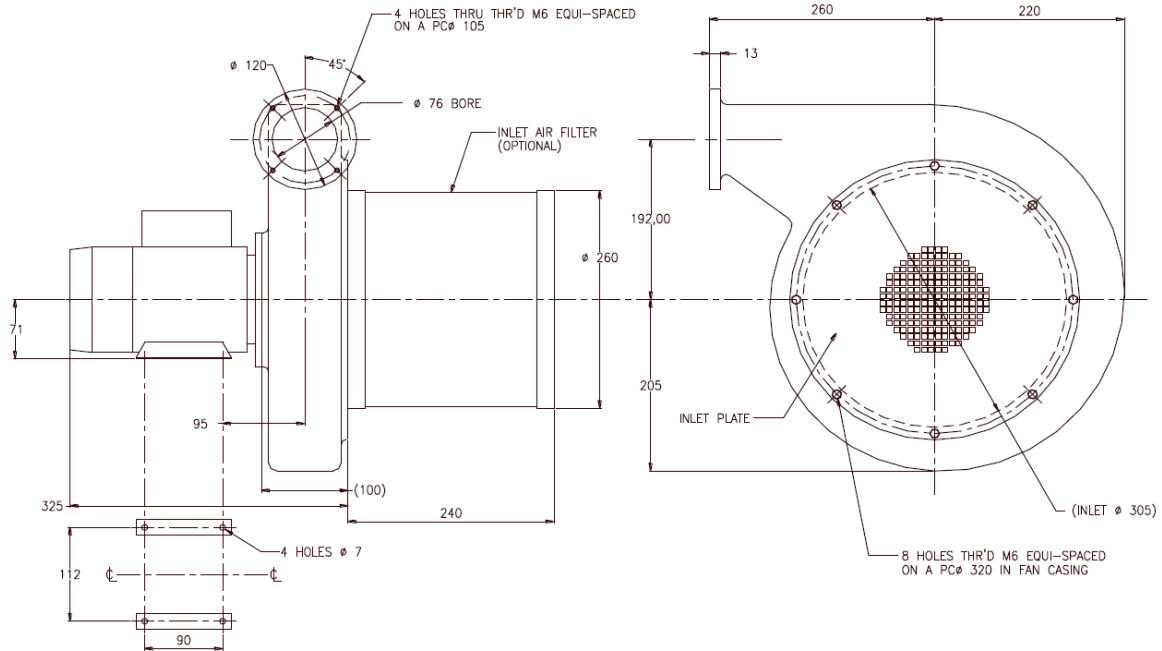
	669	669	669SO	669SO
Motor	0.55 kW	0.55 kW	0.55 kW	0.55 kW
Weight	13.5 kg	13.5 kg	14 kg	14 kg
Phase	1	3	1	3
Noise Level	71 dB(A)	71 dB(A)	71 dB(A)	71 dB(A)
Voltage	240 V	400 V	240 V	400 V
Frequency	50 / 60 Hz	50 / 60 Hz	50 / 60 Hz	50 / 60 Hz
Run Current	3.5 A	1.5 A	3.5 A	1.5 A
Max Inlet Air*	40 °C	40 °C	300 °C	300 °C

*300°C Inlet Temperature Represents High Temperature variant.

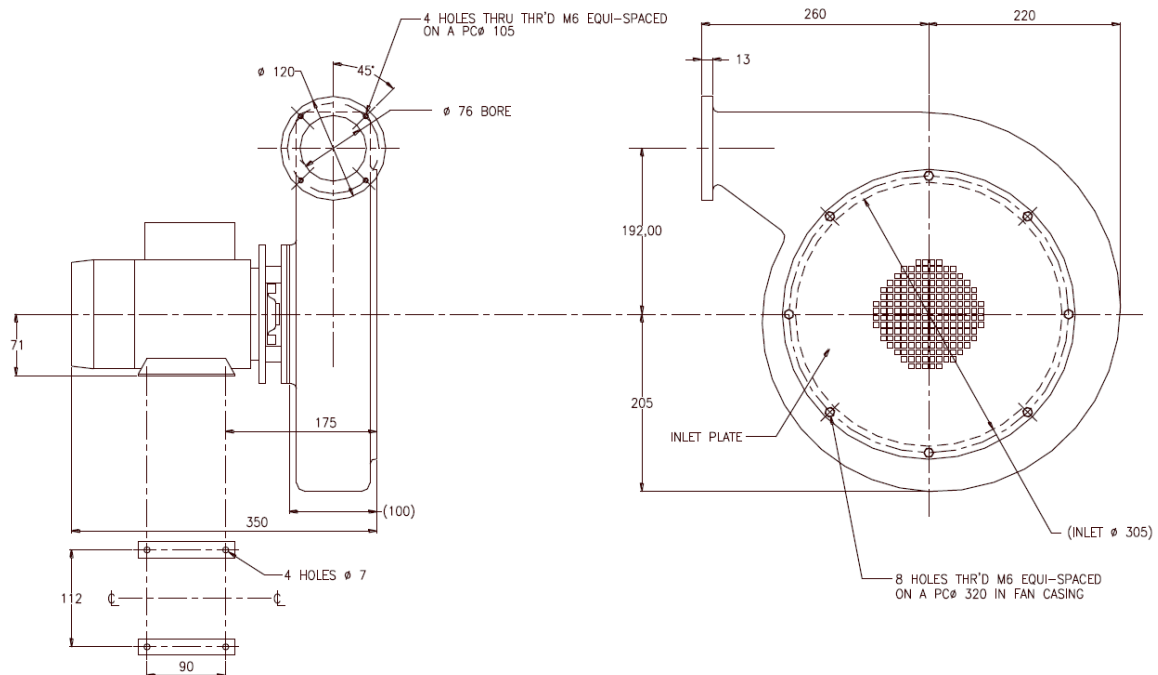
PERFORMANCE CURVE



TECHNICAL DRAWING: Model 669



TECHNICAL DRAWING: Model 669SO



All Dimensions In mm