

## INSTANT HEAT FOR DIRECT DRIVE AND HIGH VELOCITY FANS

- Up To 300 °C Peak Outlet Temperature
- Output 0.5 kW to 3 kW
- Single Or Three Phase
- Single Heater Cartridge with Up To 3 Elements (3ph)
- No Maintenance
- Stainless Steel Casing
- Direct Fit with DD573 Fan and Compatible with Fan and Blower Range



Product supplied may differ from image based on requested requirements. Image represents Model 571/4 Process Heater (casing / element).

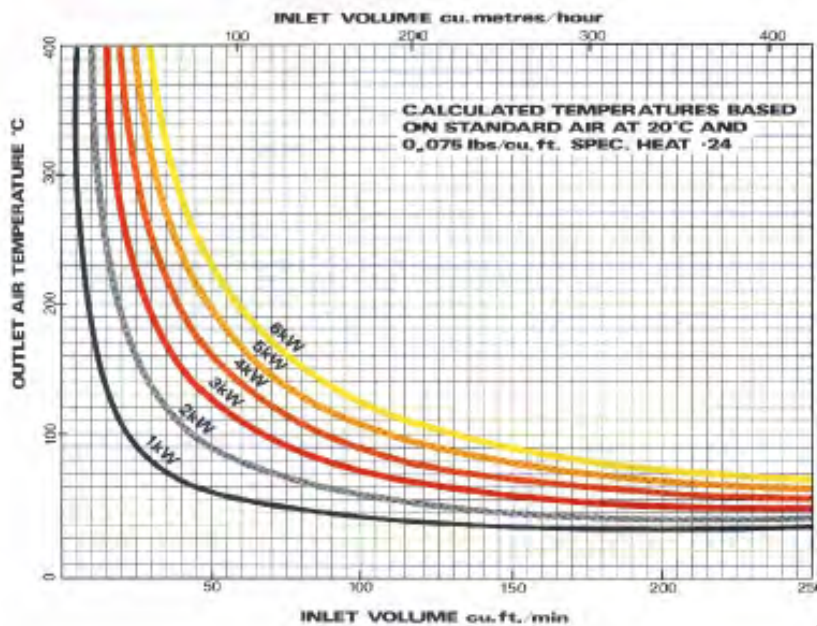
Electrical	Voltage Ranges and Output
230 - 250 V AC	2 kW, 3 kW
230 - 250 V AC / DC	1 kW, 2 kW, 3 kW
200 - 220 V AC	2 kW, 3 kW
200 - 220 V AC / DC	1 kW, 2 kW, 3 kW
100 - 110 V AC	2 kW
100 - 110 V AC / DC	1 kW, 2 kW

**Maximum Outlet Temperature: 300°C**

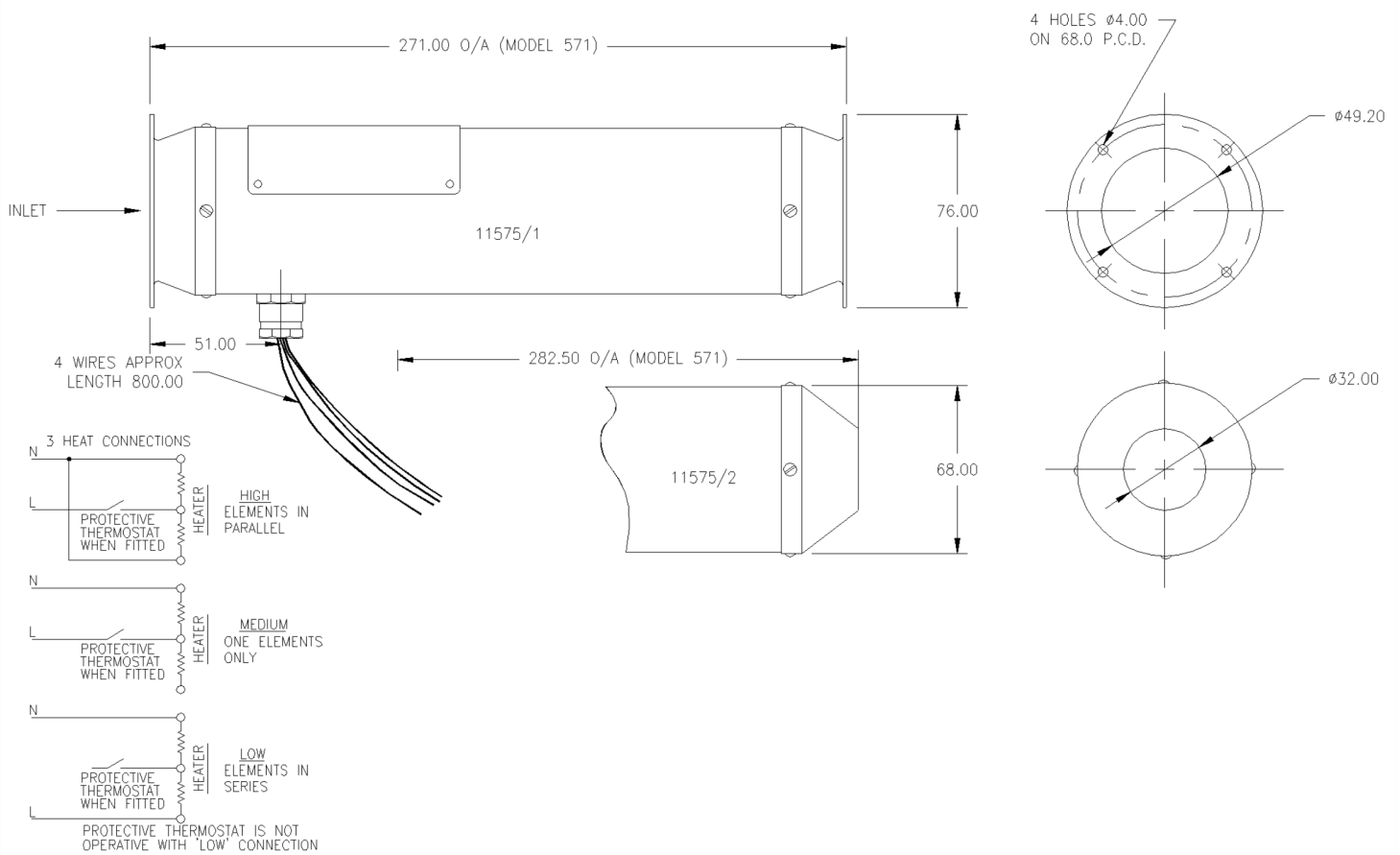
Resistance to Airflow (approx.)

- 0.5" w.g. at 40 ft<sup>3</sup> p/min
- 3.3" w.g. at 100 ft<sup>3</sup> p/min
- 7.4" w.g. at 150 ft<sup>3</sup> p/min

## PERFORMANCE CURVE



DIMENSIONAL DRAWING: Model 571



All dimensions in mm