

HIGH-SPEED AIRFLOW FOR COOLING & HEATING

- Reliable Belt-Driven Performance
- Increase Pressure By Up To 98 mbar
- Extremely Energy Efficient
- High-Strength Industrial Design
- Compact Footprint For Easy Installation
- Very Low Maintenance

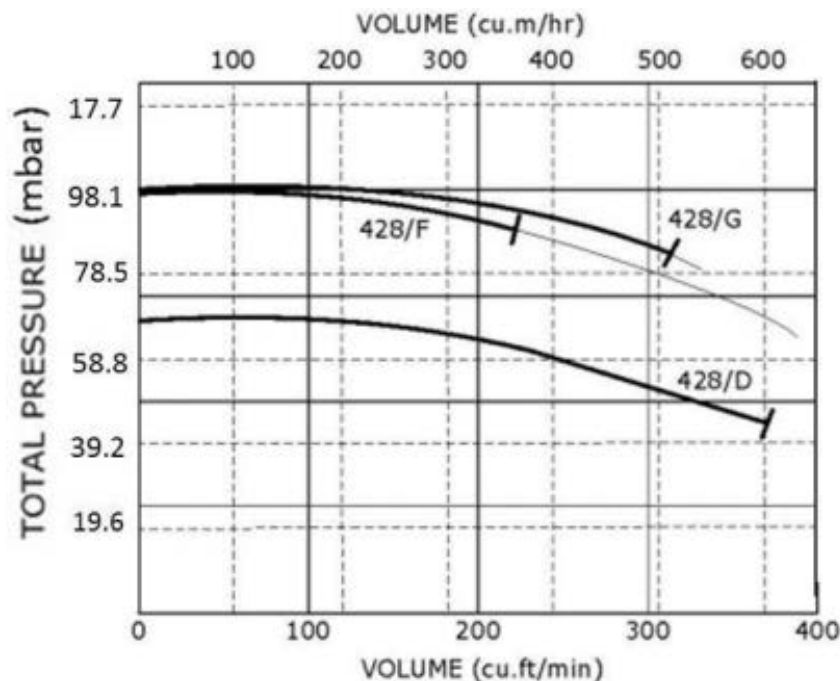


Product supplied may differ from image based on pressure requirements. Image represents Model 428 High Velocity Blower.

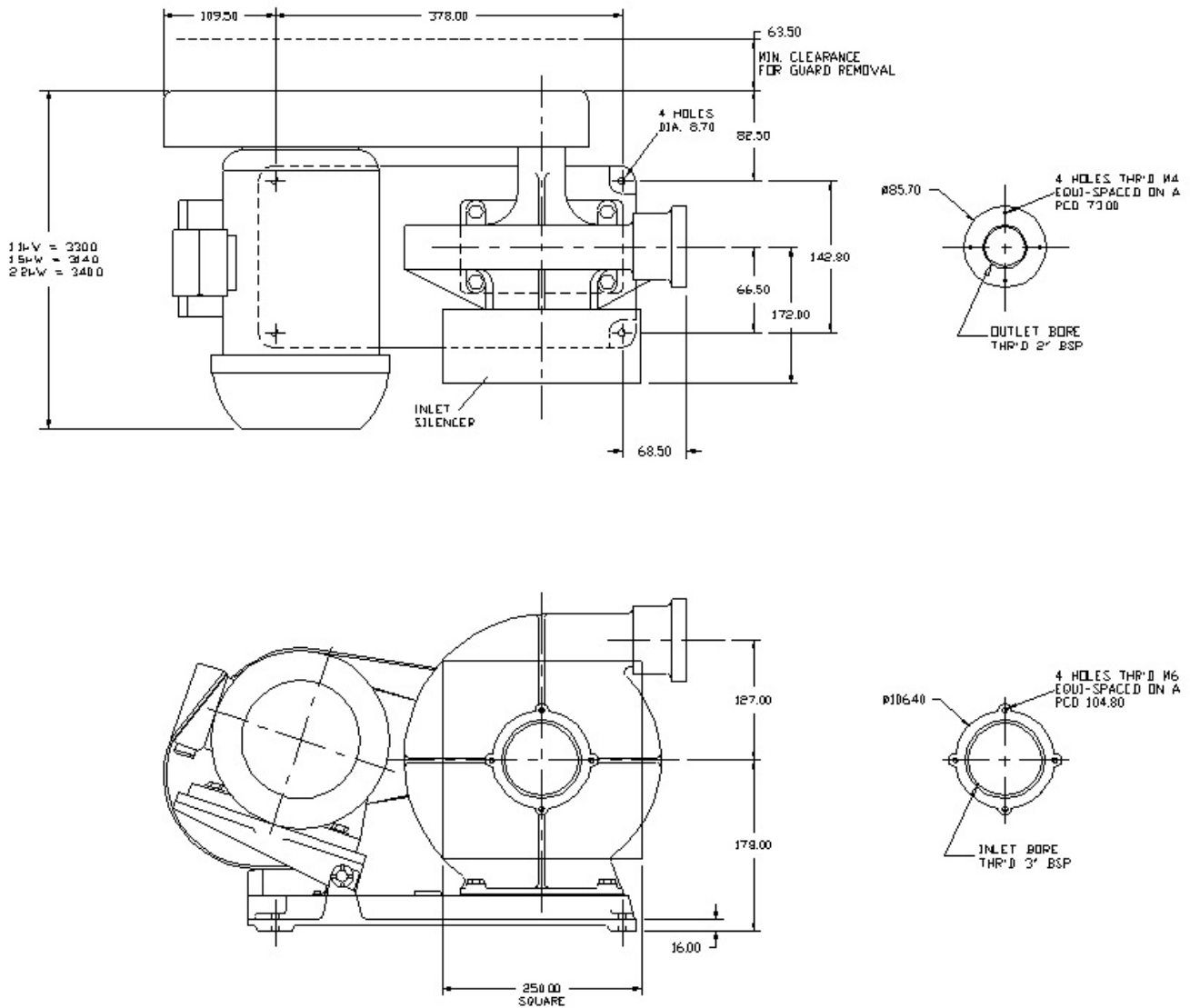
	428/D	428/F	428/G
Motor	1.5 kW	1.5 kW	2.2 kW
Weight	32 kg	32 kg	36 kg
Phase	3	3	3
Noise Level	78 dB(A)	82 dB(A)	82 dB(A)
Voltage	380 V - 480V	380 V - 480V	380 V - 480V
Frequency	50 / 60 Hz	50 / 60 Hz	50 / 60 Hz
Run Current	3.5 A	3.5 A	4.7 A

*Noise levels have been measured at a distance of 1m from the blower.

PERFORMANCE CURVE



DIMENSIONAL DRAWING: Model 428



All dimensions in mm