

HIGH-SPEED AIRFLOW FOR COOLING & HEATING

- Reliable Belt-Driven Performance
- Increase Pressure By Up To 186 mbar
- Extremely Energy Efficient
- High-Strength Industrial Design
- Compact Footprint For Easy Installation
- Very Low Maintenance

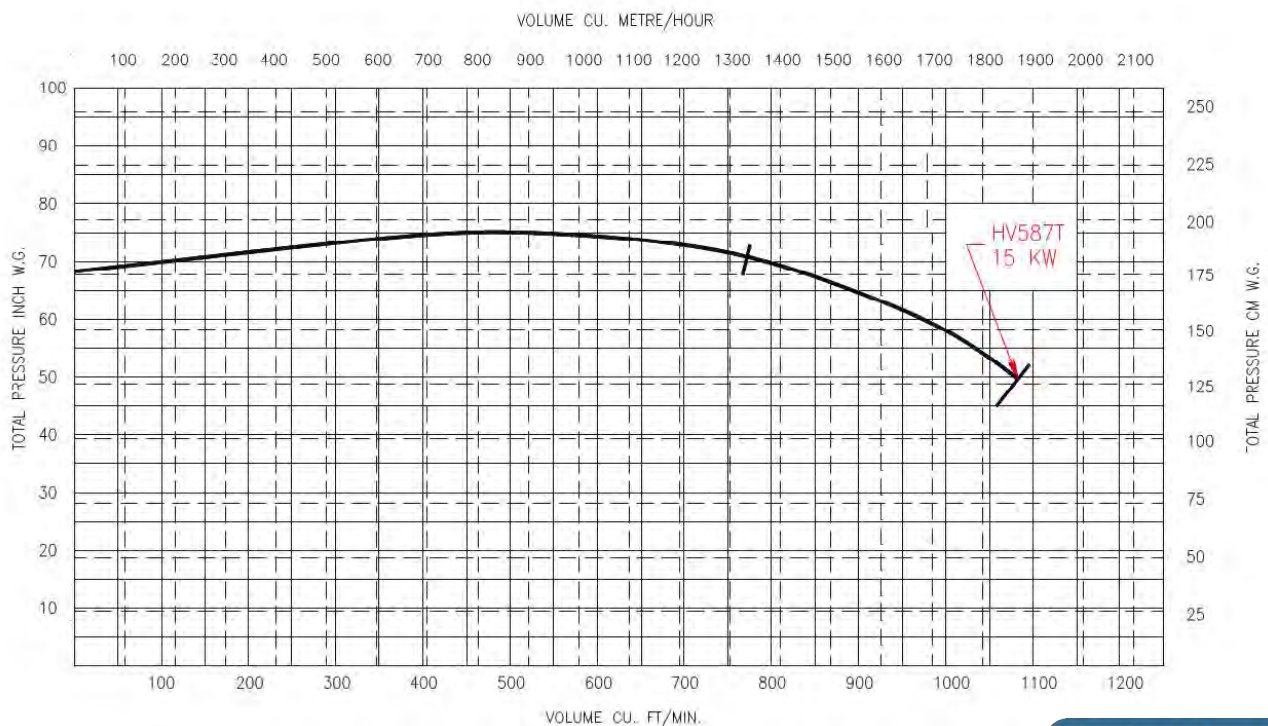


Product supplied may differ from image based on pressure requirements. Image represents Model 587 Turbo High Velocity Blower.

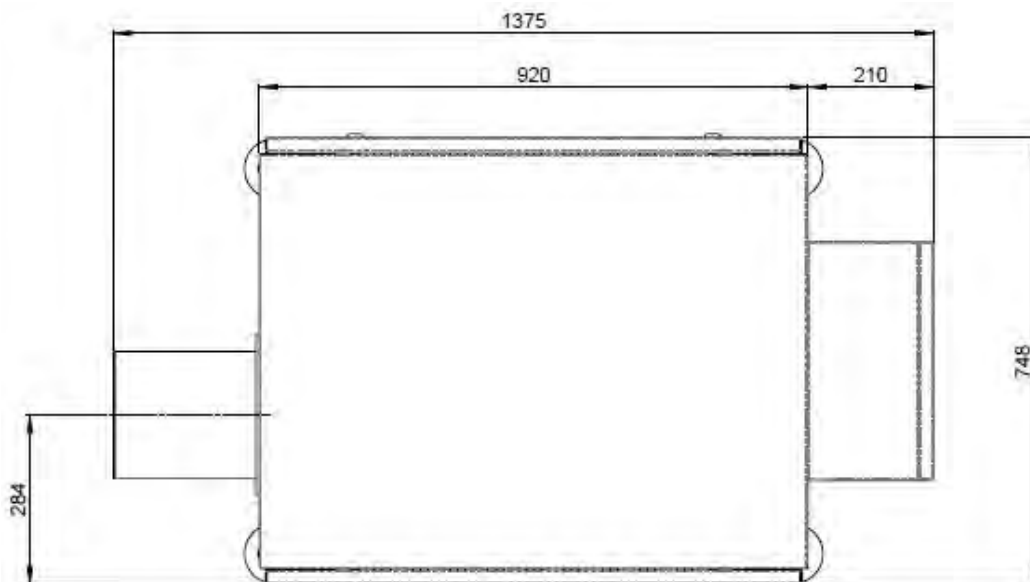
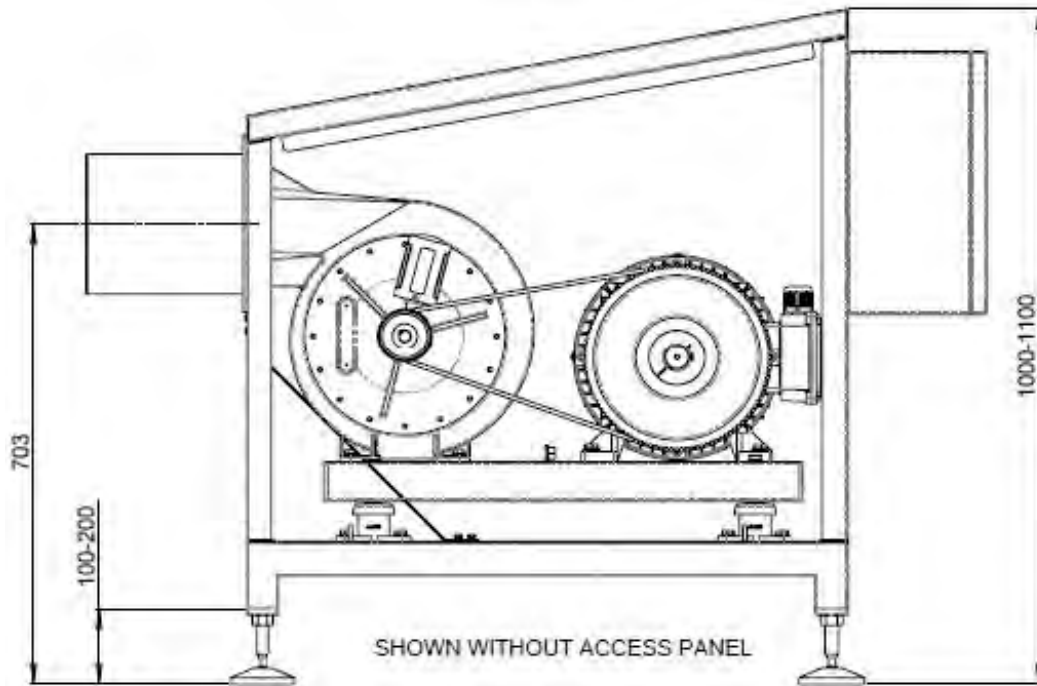
| | 587 Turbo (all) |
|--------------|-----------------|
| Motor | 15 kW |
| Weight | 210 kg |
| Phase | 3 |
| Noise Level* | 85 dB(A) |
| Voltage | 380 V - 480 V |
| Frequency | 50 / 60 Hz |
| Run Current | 23.1 A |

*Noise levels have been measured at a distance of 1m from the blower.

PERFORMANCE CURVE



DIMENSIONAL DRAWING: Model 587 Turbo



All dimensions in mm