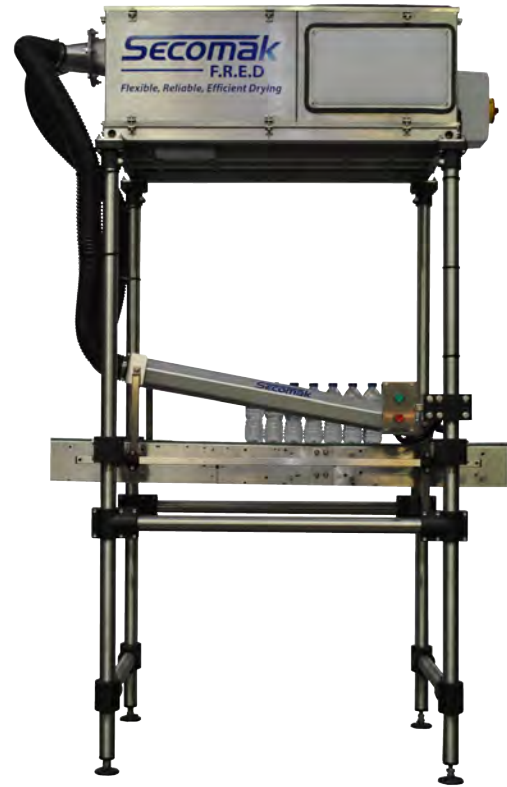


IDEAL FOR SMALLER PRODUCTION LINES & BREWERIES

- Dry Aluminium, Glass Or PET In Any Shape Or Size
- High Performance Drying In A Compact Package
- Energy Efficient - Inverter Controlled
- Cost Effective, Low Investment Solution
- Easy To Install Over Production Lines
- Powered By Secomak's Efficient Blower Technology
- Very Low Maintenance
- 20,000 Hour Warranty
- UK Manufactured



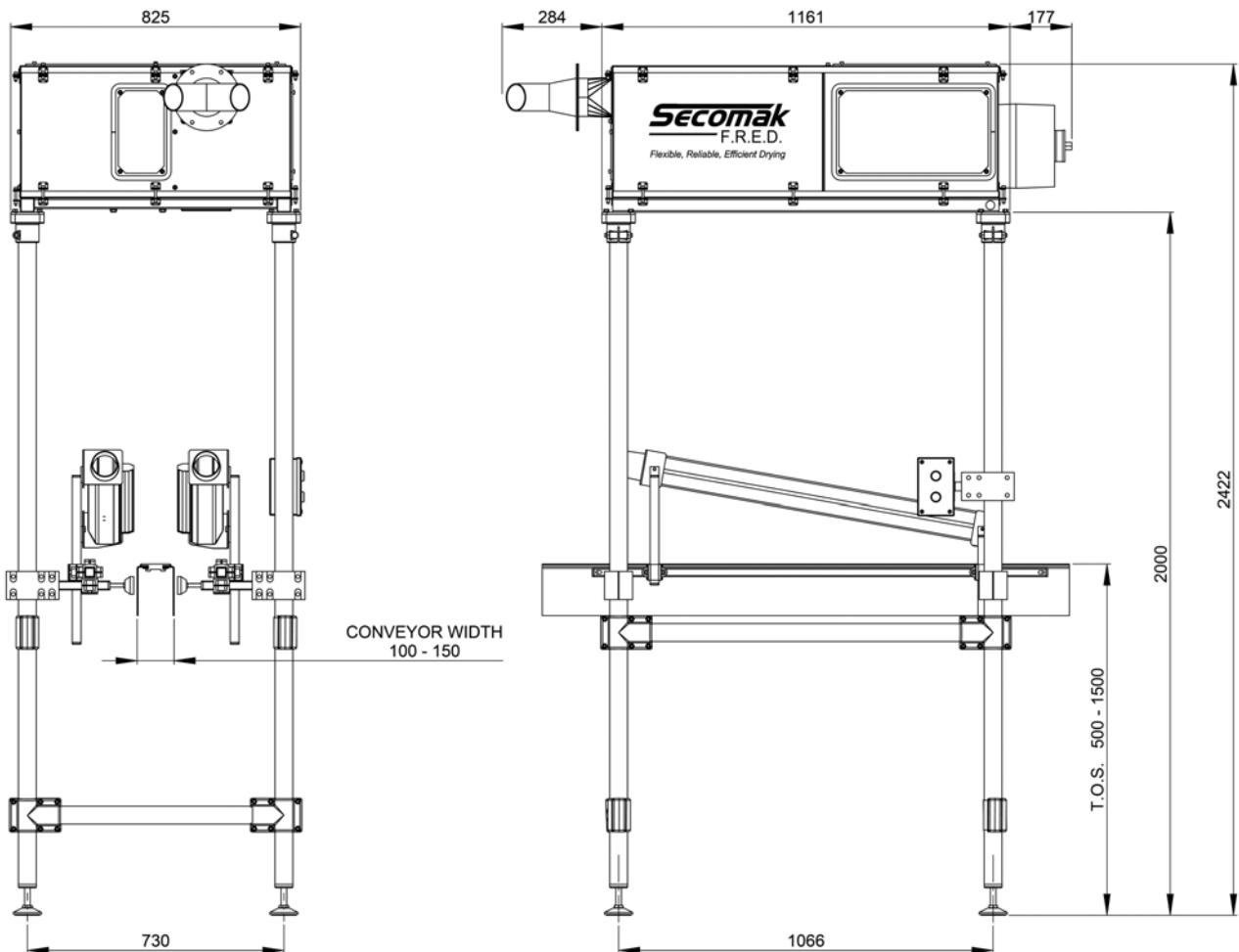
Product supplied may differ from image based on container drying requirements. Image represents F.R.E.D.

F.R.E.D APPLICATIONS

Aluminium Can	Glass Bottle	PET Bottle
Drying Can Tops & Sides	Labelling (including pressure sensitive labels)	Labelling
Date Coding	Cap Inspection	Cap Inspection
Drying For Final Pack	Date Coding	Date Coding
Drying For Can Labels	Shrink Sleeve Application	Shrink Sleeve Application
Shrink Sleeve Application	Returnable Inspection	Camera Orientation
	Full Bottle Inspection	

DIMENSIONAL DRAWING: F.R.E.D

Technical Data	
Motor	11 kW
Voltage	380-415 V / 50 Hz 440-480 V / 60 Hz
Phase	3
Energy Consumption	8 kW
Current Protection	32 A (Back Up)
Nominal Current	18 A
Noise Level	< 85 dB A



All dimensions in mm