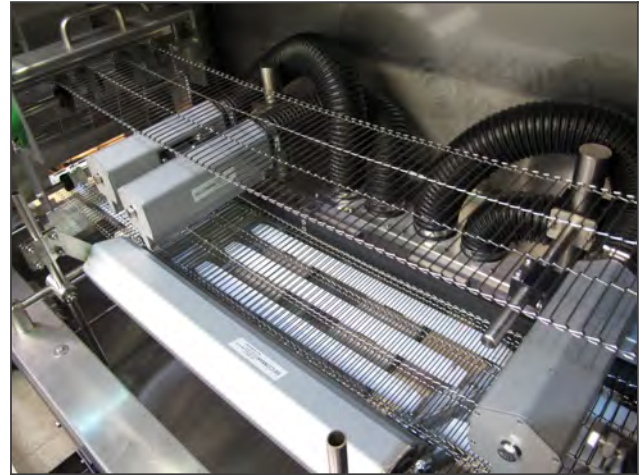


PERFECT FOR POUCHES AND FLEXIBLE PACKAGING

- Completely Dry Entire Surface Of Packaging
- Available In Single or Multi-Lane Formats
- Dedicated Gusset Drying
- Open Mesh Conveyor For Maximum Airflow
- Hold-Down Belt Keeps Product Secure
- Very Low Maintenance



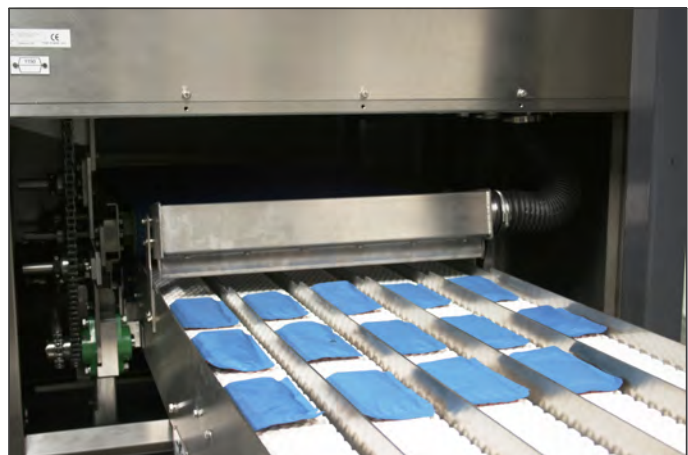
Product supplied may differ from image based on container drying requirements. Image represents the Pouch Dryer (interior).

Ideal For Flexible Packaging

Layout Flat Pouches
Stand-Up Pouches
Doy Packs
Liquid Pouches
Flat Bottom Bags
Ready Meal Trays



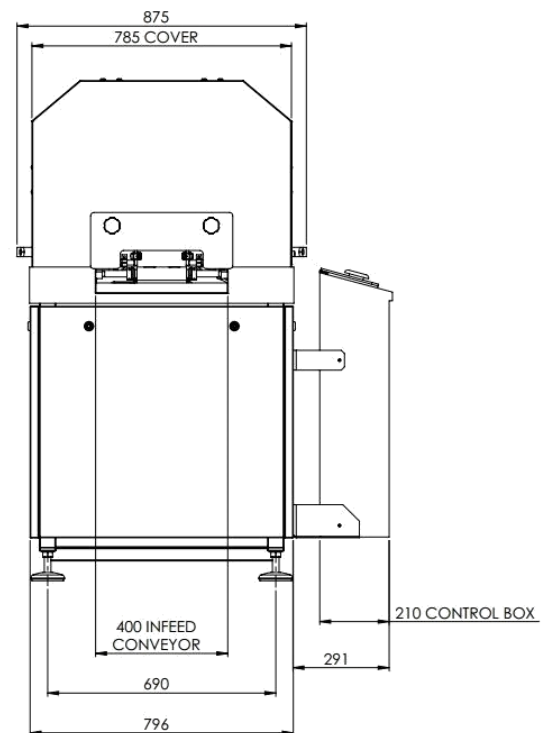
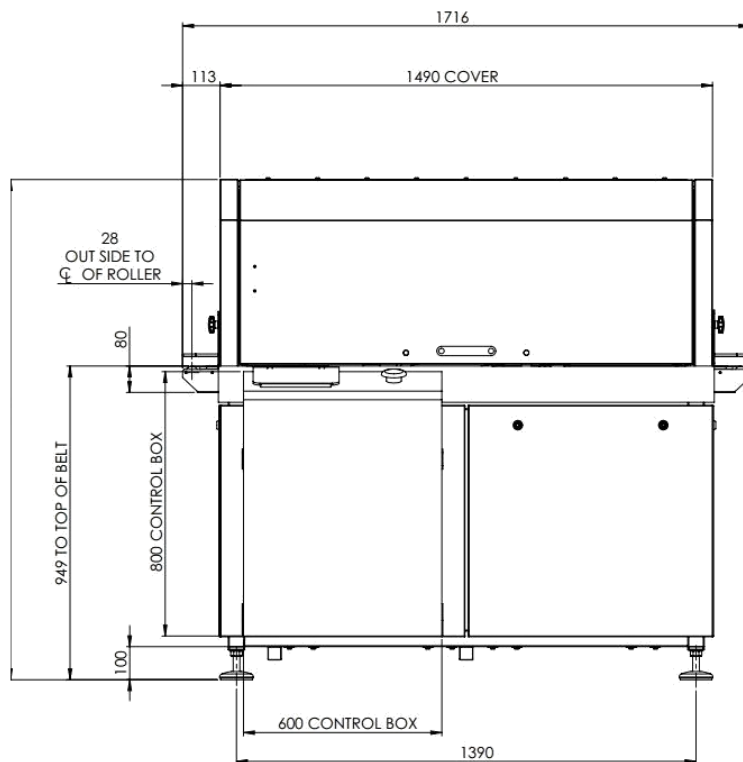
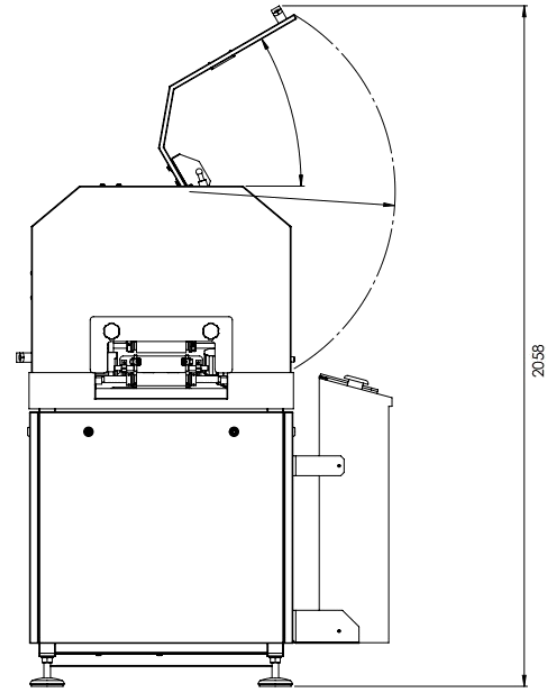
Pouch Dryer Module (exterior)



Pouch Dryer (multi-lane)

DIMENSIONAL DRAWING: Pouch Dryer

	Technical Data
Motor	11 kW
Voltage	380-415 V / 50 Hz 440-480 V / 60 Hz
Phase	3
Energy Consumption	8 kW
Current Protection	32 A (Back Up)
Nominal Current	18 A
Noise Level	< 85 dB A



All dimensions in mm