

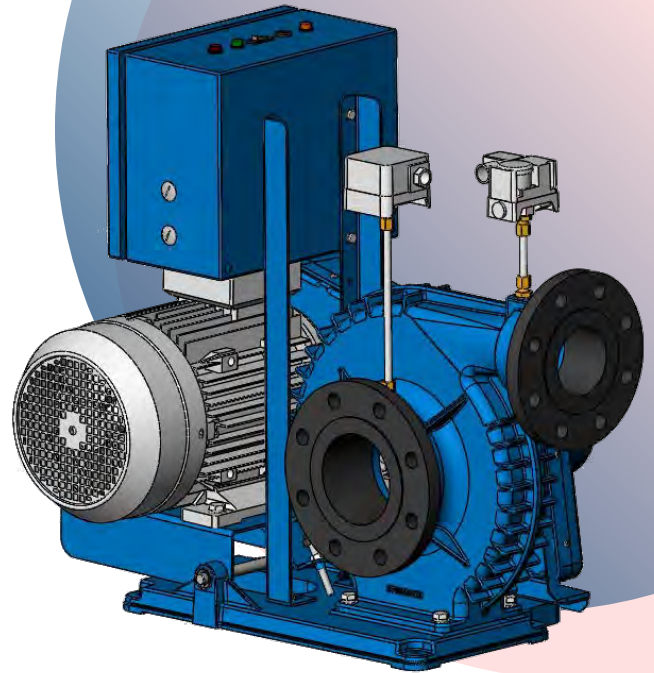
# Package Gas Booster

## Model 540(1/2/3) & 581 (1/2)

**SECOMAK**  
Gas Boosters... the safe choice

Motor 4&2.2kW	Weight 72Kg
Phase 3	Noise Level 84dB(A)
Voltage 415V	Frequency 50Hz
Start Current 14&10A	Run Current 5, 4.5&3.6A

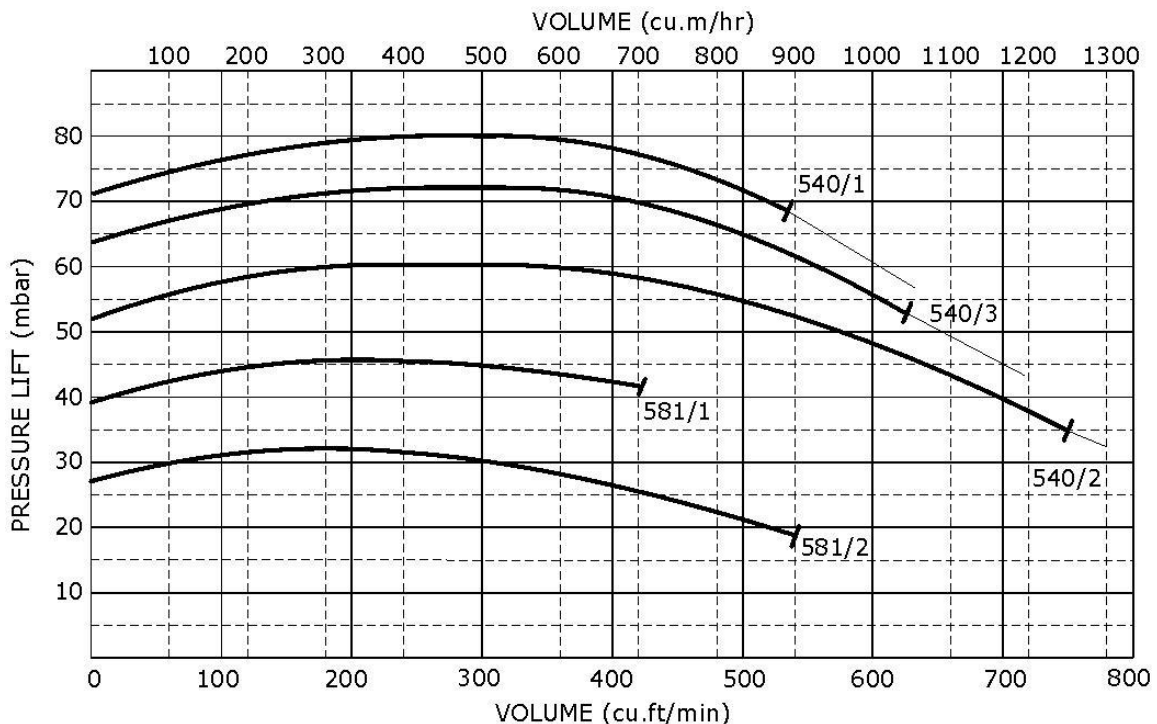
Picture depicts  
Model 540(1/2/3) &  
581(1/2)



Available stand-alone or part of package with optional soft start or inverter driven (APS) system.

## Performance Curve

Actual product image may vary for different models  
Image represents Package Gas Booster including controls

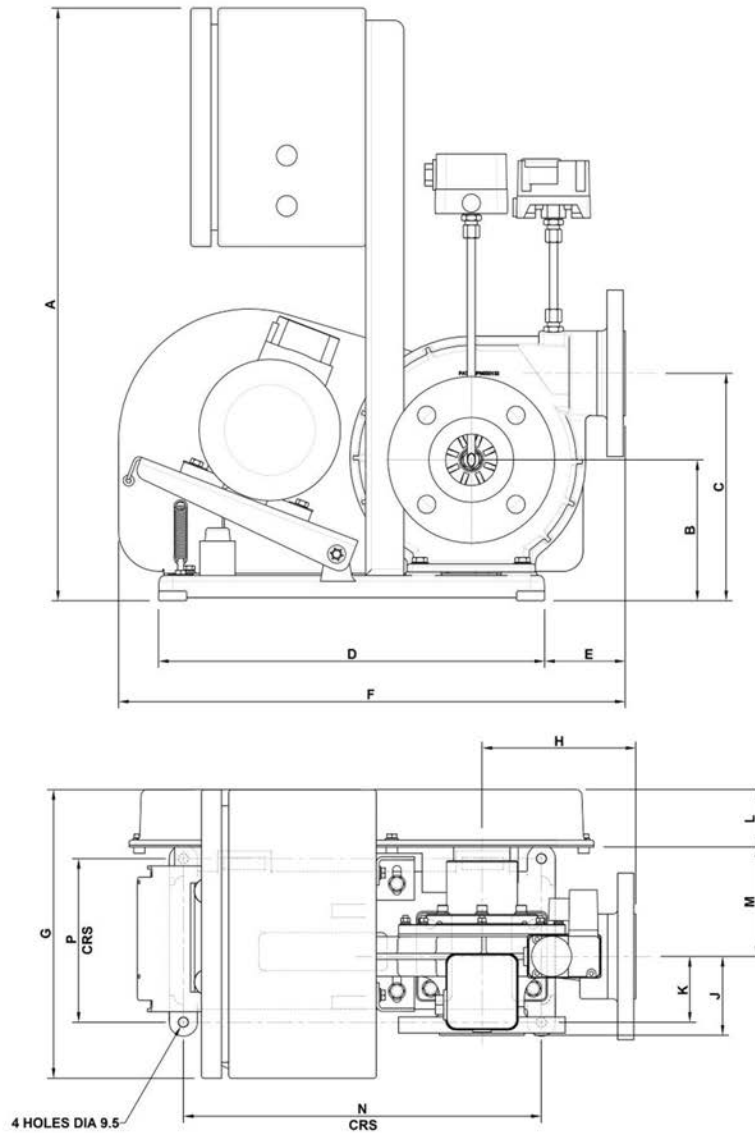


# Gas Booster

## Model 540 (1/2/3)

## 581 (1/2)

### DIMENSIONAL DATA



MODEL	A	B	C	D	E	F	G	H
SGP-540	641	202	353	457	138	706	433	237
SGP-581								

MODEL	J	K	L	M	N	P	INLET FLANGE	OUTLET FLANGE
SGP-540	115	105	88	120	419	184	DN100	DN 80
SGP-581								

**All dimensions in mm. Dimensions subject to change dependent on gas booster or full package booster**