

# Process Air Heater 688 Heater

**SECOMAK**  
a i r a t w o r k

Picture depicts  
688 Heater 24-36kW



The Model 688 Heater consists of element assemblies mounted inside a stainless steel tube, which is enclosed in an insulated jacket. The jacket allows maximum heat transfer to the airstream while maintaining a low surface temperature. This makes the Model 688 ideal for mounting in vulnerable areas or in enclosures containing other equipment.

The inlet of the 688 is flanged and the outlet is either flanged or provided with a Duct / Hose adapter.

The terminal box is manufactured from aluminium and is protected to IP65. Connection is made to each element using DIN rail termination for ease of wiring.

The Model 688 Heater will give an outlet temperature up to 400°C (350°C recirculating temp) and is available in loadings of 24, 27 or 36 kW. The inlet of the 688 can be fitted with a thermal cut-out to protect the element in the event of the airflow becoming restricted.

A variety of temperature controls are available. These range from switching devices, providing a fixed loading through to systems which monitor and regulate the output temperature.

A range of adapters is available to link the Model 688 with a variety of Secomak fans.

## Electrical

415V or 380V 3 phase

220V or 240V single phase

Other voltages available with limited loading.

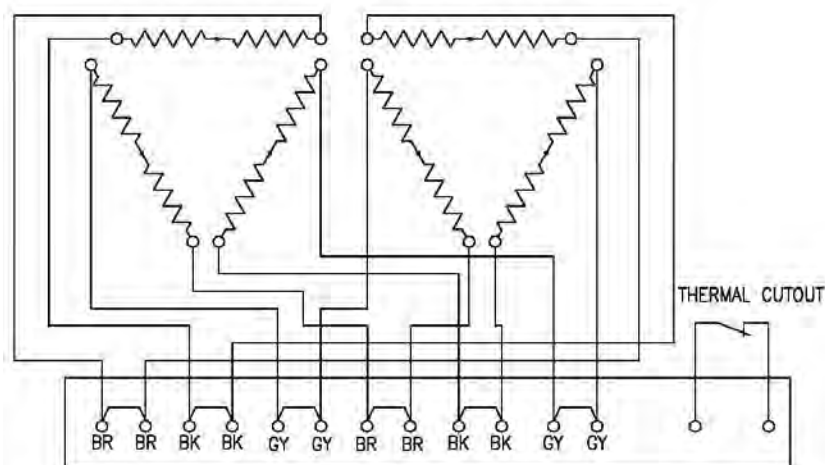
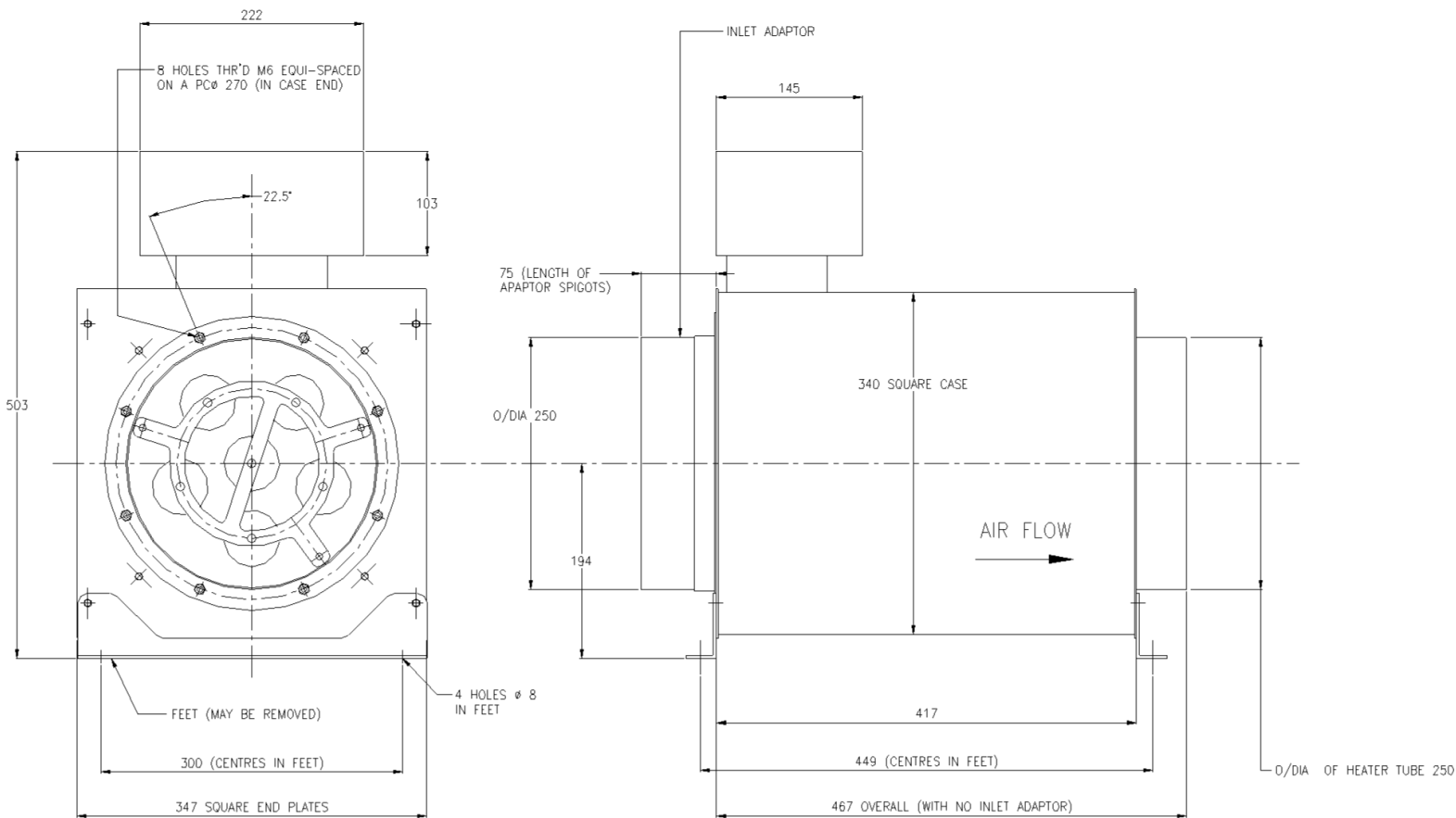
Maximum Outlet Temperature: 400°C  
Resistance to Airflow (approx.)

0.22" w.g. at 200 ft<sup>3</sup>/min

3.50" w.g. at 800 ft<sup>3</sup>/min

10.80" w.g. at 1400 ft<sup>3</sup>/min

## Technical Drawing : Model 688



### WIRING DIAGRAM

All dimensions in mm