

# Package Gas Booster Model 535 (2/5/9)

**SECOMAK**  
Gas Boosters... the safe choice

**Motor**  
1.5&2.2kW

**Weight**  
39&40Kg

**Phase**  
3

**Noise Level**  
80&82dB(A)

**Voltage**  
415V

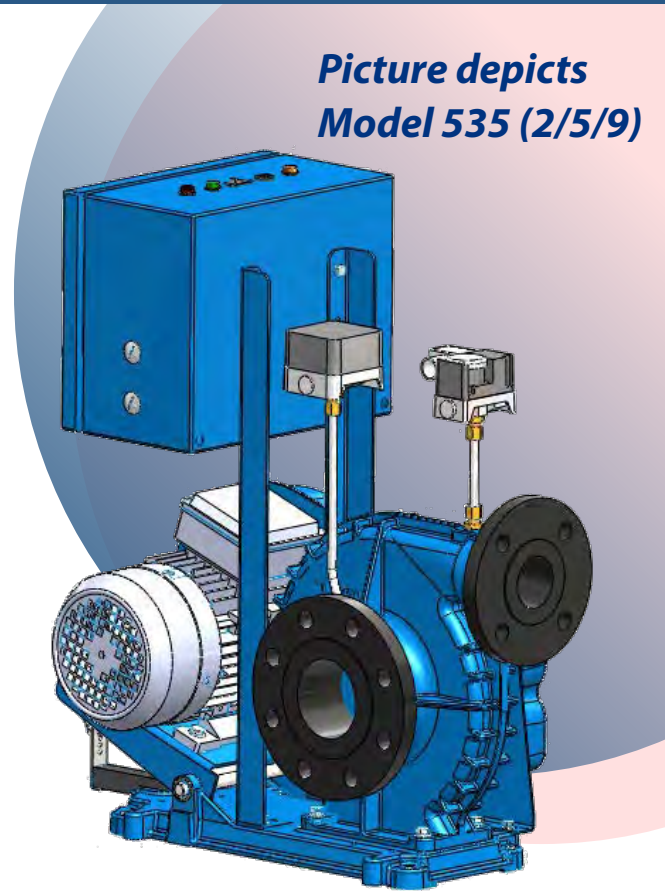
**Frequency**  
50Hz

**Start Current**  
7&10A

**Run Current**  
2.3/2.2/4A

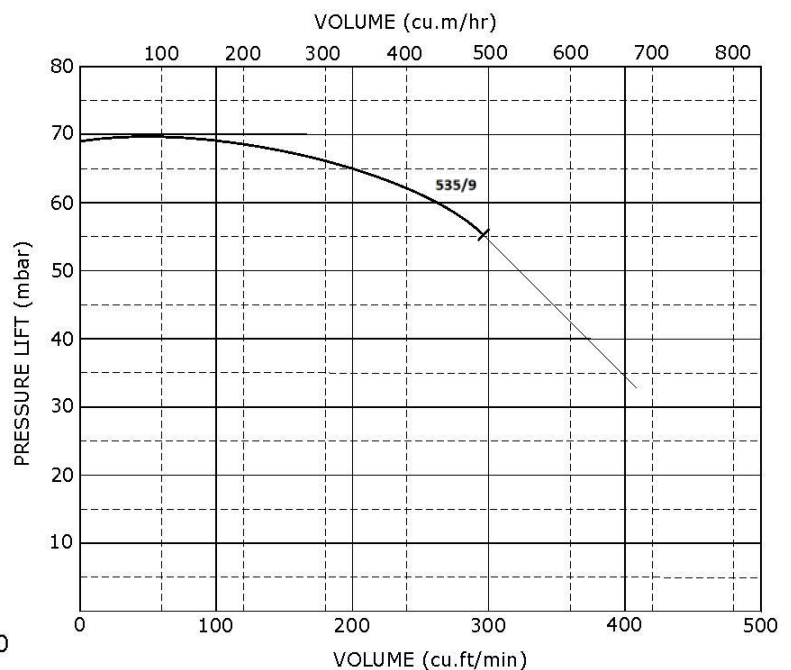
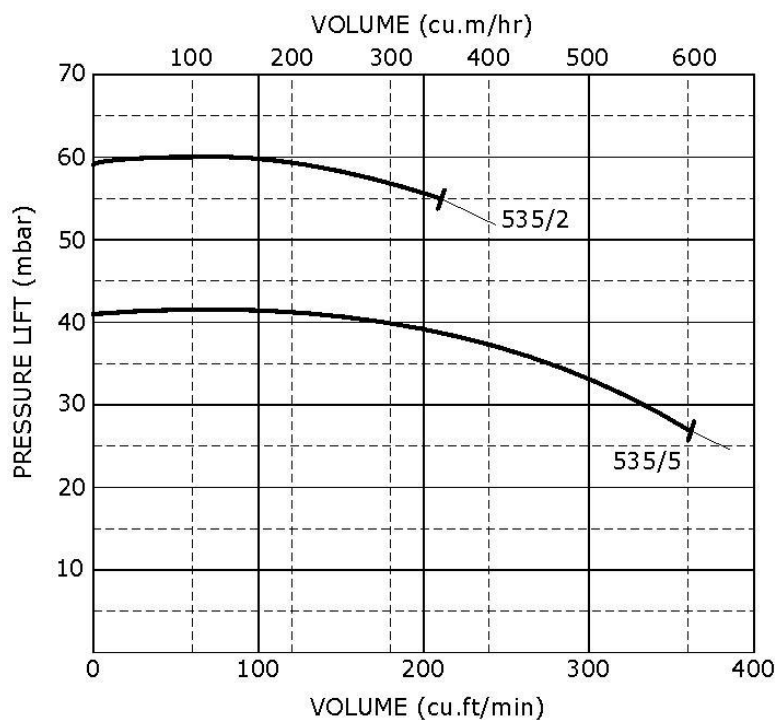
Available stand-alone or part of package with optional soft start or inverter driven (APS) system.

## Performance Curve

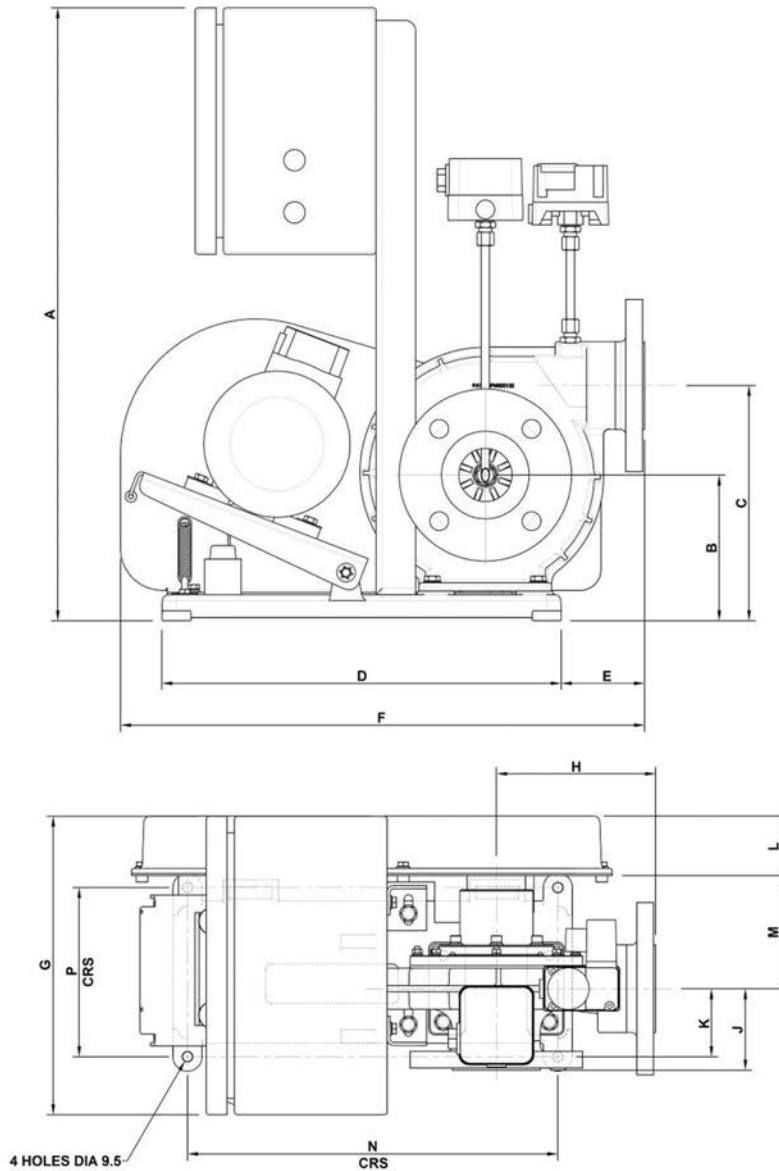


Picture depicts  
Model 535 (2/5/9)

Actual product image may vary for different models  
Image represents Package Gas Booster, including controls



### DIMENSIONAL DATA



| MODEL   | A   | B   | C   | D   | E  | F   | G   | H   |
|---------|-----|-----|-----|-----|----|-----|-----|-----|
| SGP-535 | 640 | 178 | 305 | 432 | 82 | 585 | 311 | 180 |

| MODEL   | J   | K  | L  | M   | N   | P   | INLET FLANGE | OUTLET FLANGE |
|---------|-----|----|----|-----|-----|-----|--------------|---------------|
| SGP-535 | 101 | 72 | 57 | 111 | 378 | 143 | DN80         | DN 50         |

**All dimensions in mm. Dimensions are subject to change dependent on gas booster or full package booster**