

HIGH-SPEED AIRFLOW FOR COOLING & HEATING

- Reliable Belt-Driven Performance
- Increase Pressure By Up To 78 mbar
- Extremely Energy Efficient
- High-Strength Industrial Design
- Compact Footprint For Easy Installation
- Very Low Maintenance

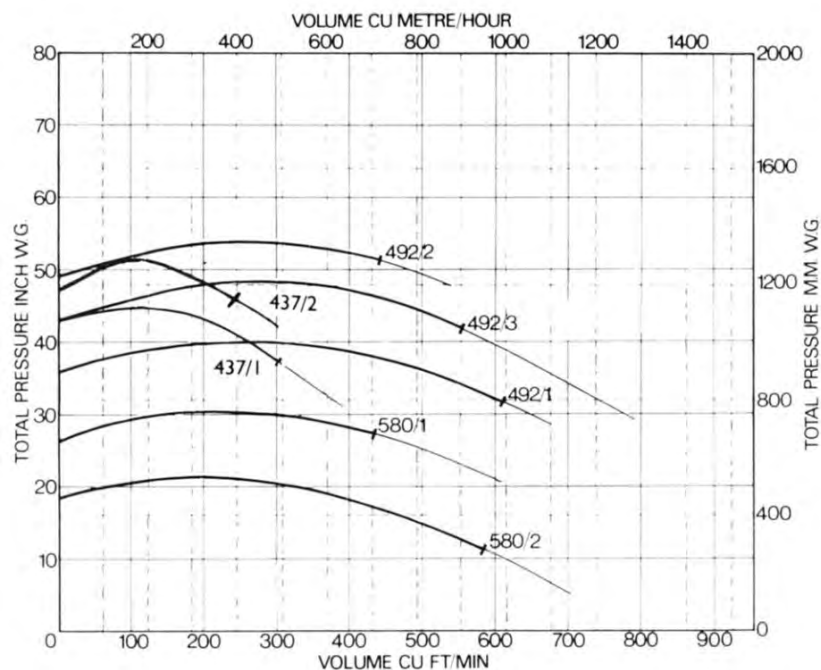
	580 (all)
Motor	2.2 kW
Weight	43 kg
Phase	3
Noise Level*	80 dB(A)
Voltage	380 V - 480 V
Frequency	50 / 60 Hz
Run Current	4.7 A

*Noise levels have been measured at a distance of 1m from the blower.

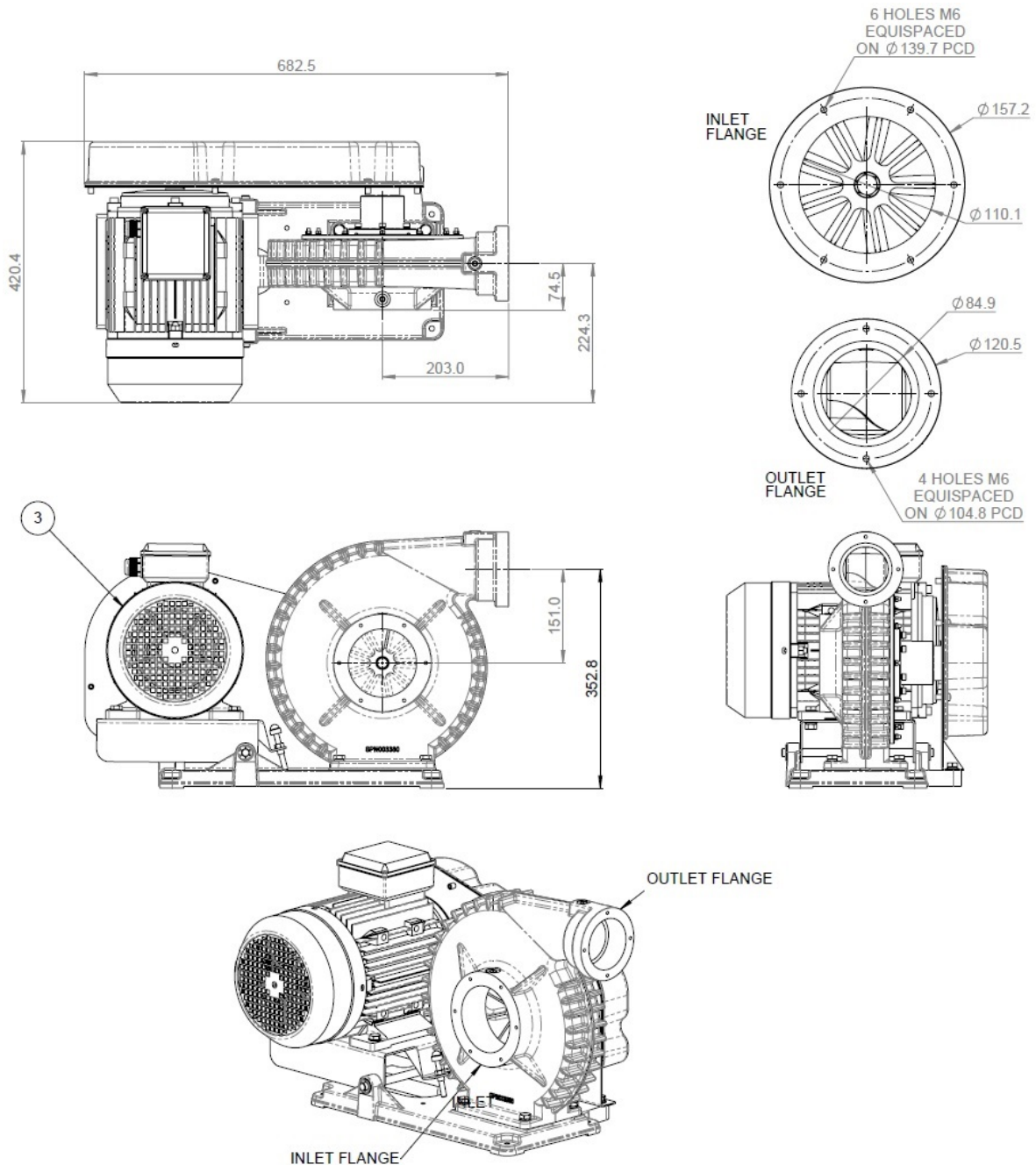


Product supplied may differ from image based on pressure requirements. Image represents Model 580 High Velocity Blower.

PERFORMANCE CURVE



DIMENSIONAL DRAWING: Model 580



All dimensions in mm