

## Model 632/12

INSTANT HEAT FOR DIRECT DRIVE  
AND HIGH VELOCITY FANS

### FEATURES AND BENEFITS

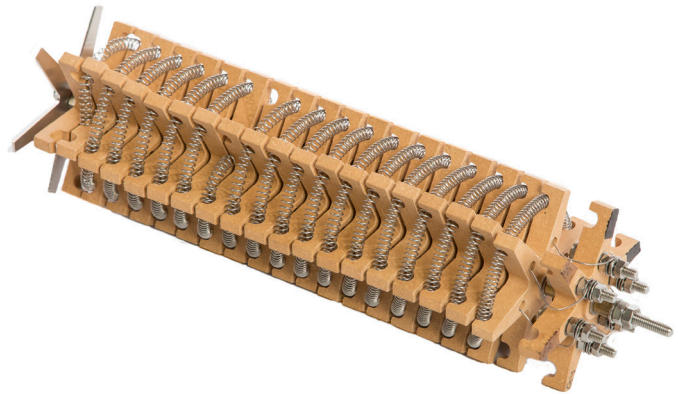
- Up To 300 °C Peak Outlet Temperature
- 12 kW output
- No Maintenance
- Stainless Steel Casing with Cool Touch Insulated Outer Jacket
- Temperature Controls Available
- Compatible with Fan and Blower Range
- UL Approved



Product supplied may differ from image based on requested requirements. Image represents Model 632 Process Heater (casing / element).

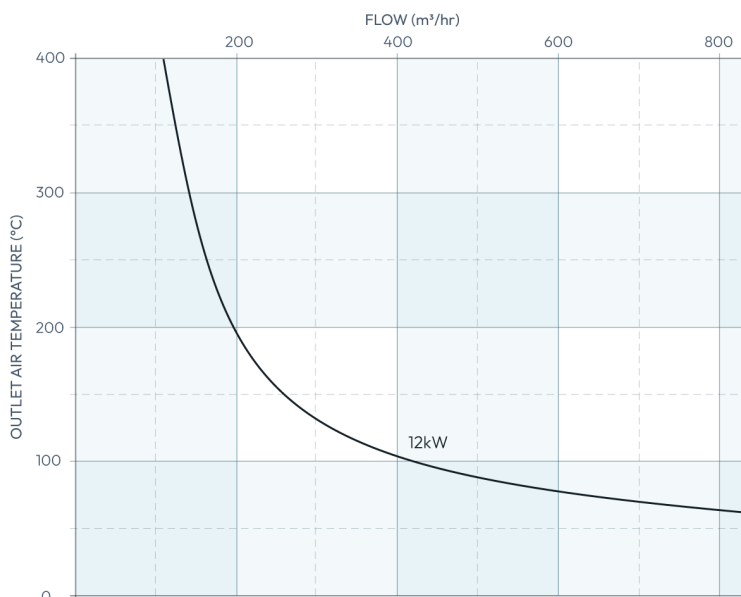
### MAXIMUM OUTLET TEMPERATURE: 300 °C

- Resistance to Airflow (approx)
  - 0.85 mbar at 169.9m<sup>3</sup>/hr
  - 4.23 mbar at 339.8m<sup>3</sup>/hr
  - 25.63 mbar at 509.7m<sup>3</sup>/hr



PROCESS AIR HEATER

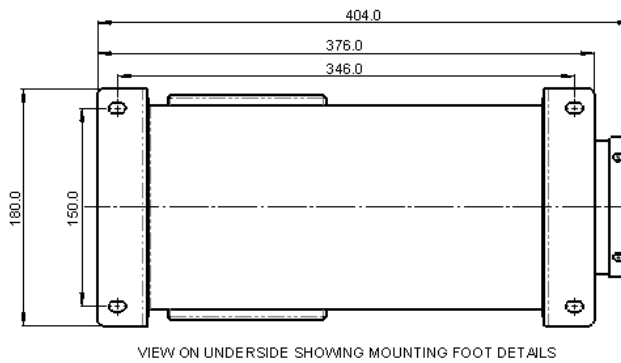
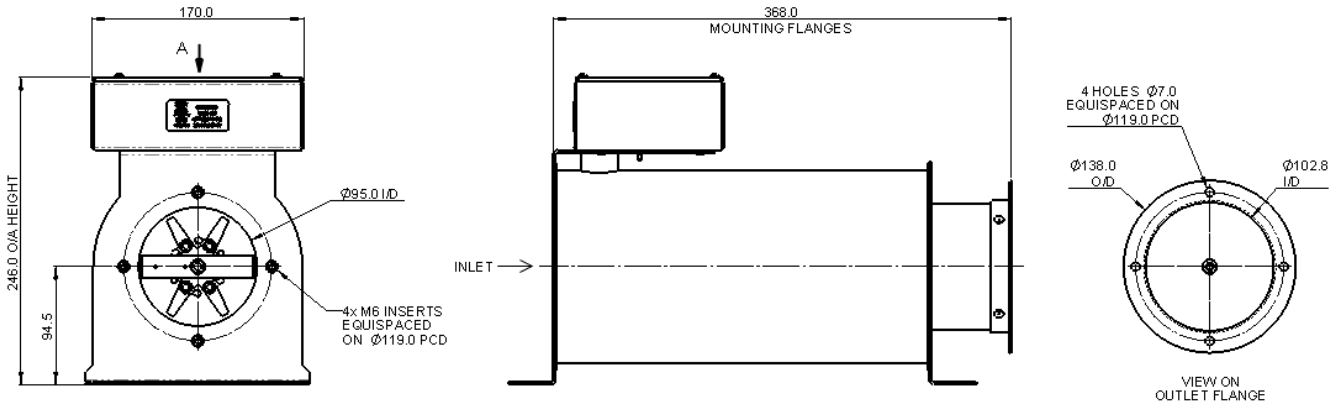
### PERFORMANCE CURVE



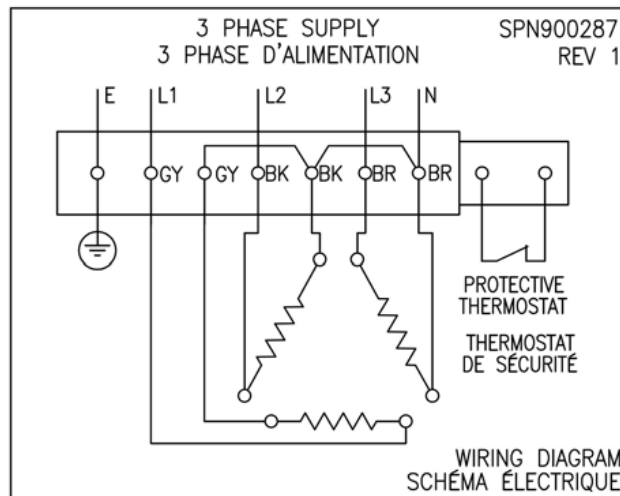
Temperatures calculated based on standard air at 20°C & 1.204 kg/m<sup>3</sup> (NTP)

## Model 632/12

### DIMENSIONAL DRAWING



VIEW ON UNDERSIDE SHOWING MOUNTING FOOT DETAILS



PROCESS AIR HEATER

All dimensions in mm