

Model 648/15

INSTANT HEAT FOR DIRECT DRIVE AND HIGH VELOCITY FANS

FEATURES AND BENEFITS

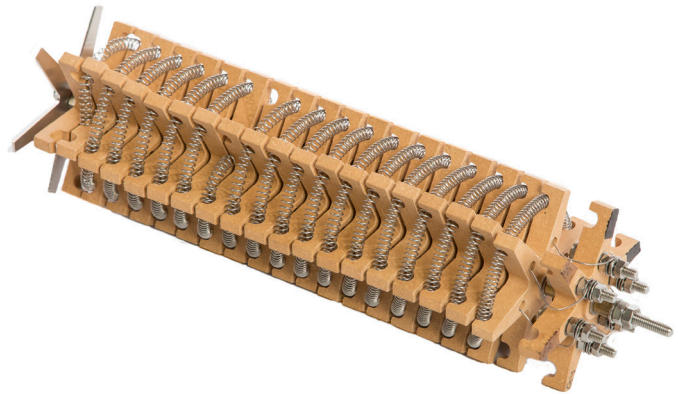
- Up To 300 °C Peak Outlet Temperature
- 15 kW output
- No Maintenance
- Stainless Steel Casing with Cool Touch Insulated Outer Jacket
- Aluminium Terminal Box
- Temperature Controls Available
- Compatible with Fan and Blower Range
- UL Approved



Product supplied may differ from image based on requested requirements. Image represents Model 648 Process Heater (casing / element).

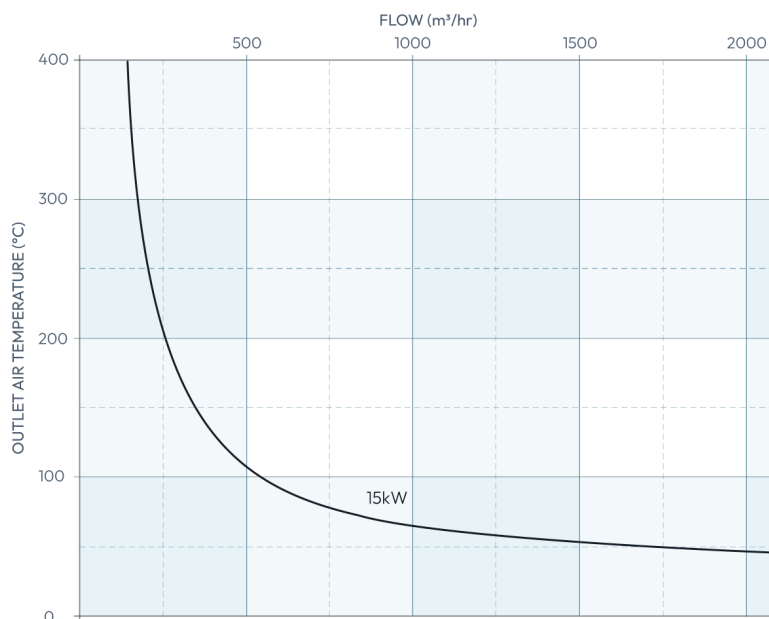
MAXIMUM OUTLET TEMPERATURE: 300 C

- Resistance to Airflow (approx)
 - 0.55 mbar at 339.8m³/hr
 - 8.7 mbar at 1359.21m³/hr
 - 26.9 mbar at 2379m³/hr



PROCESS AIR HEATER

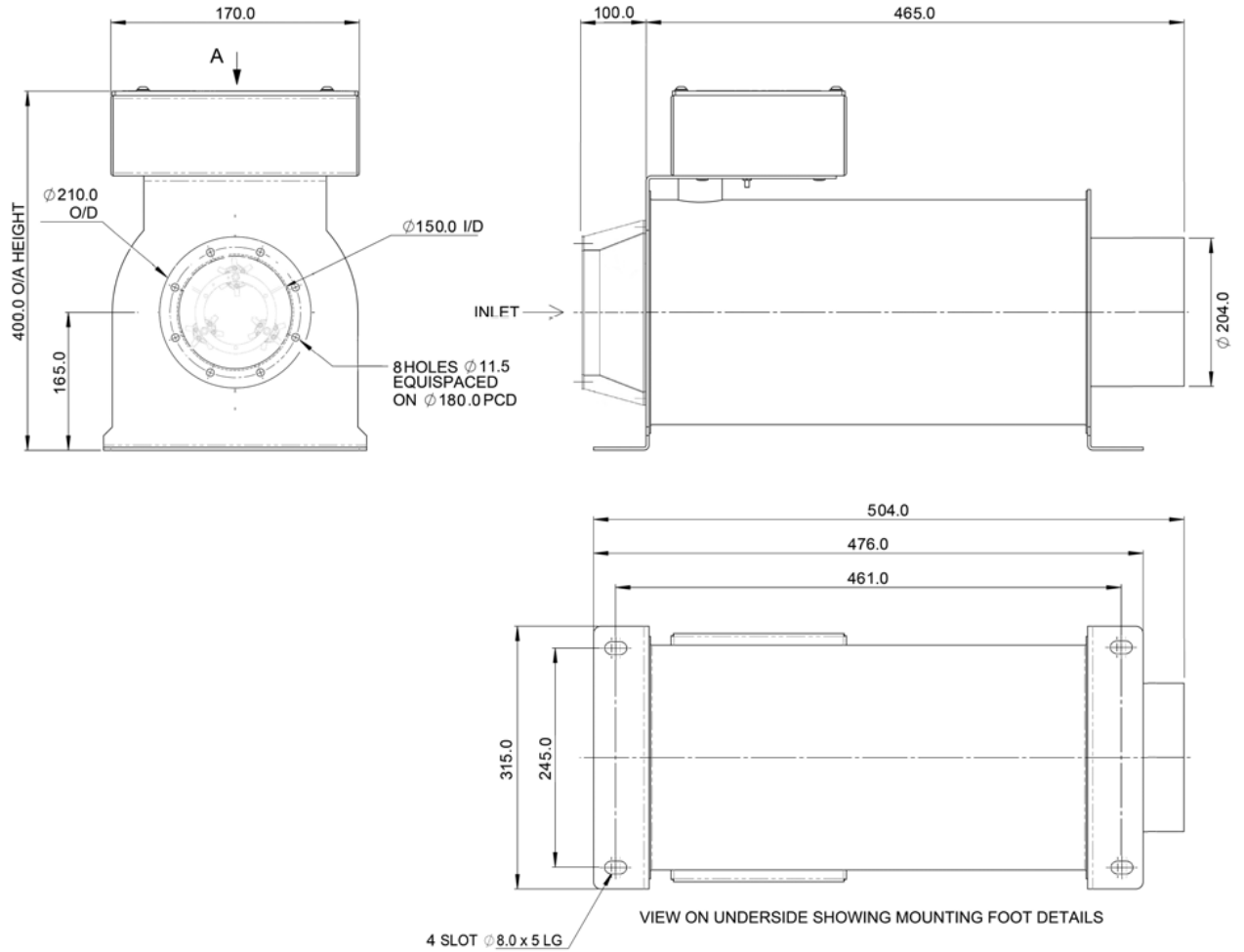
PERFORMANCE CURVE



Temperatures calculated based on standard air at 20°C & 1.204 kg/m³ (NTP)

Model 648/15

DIMENSIONAL DRAWING



PROCESS AIR HEATER

All dimensions in mm