

Model 428/G

HIGH-SPEED AIRFLOW FOR COOLING & HEATING

FEATURES AND BENEFITS

- Reliable Belt-Driven Performance
- Increase Pressure By Up To 98 mbar
- Extremely Energy Efficient
- High-Strength Industrial Design
- Compact Footprint For Easy Installation
- Very Low Maintenance



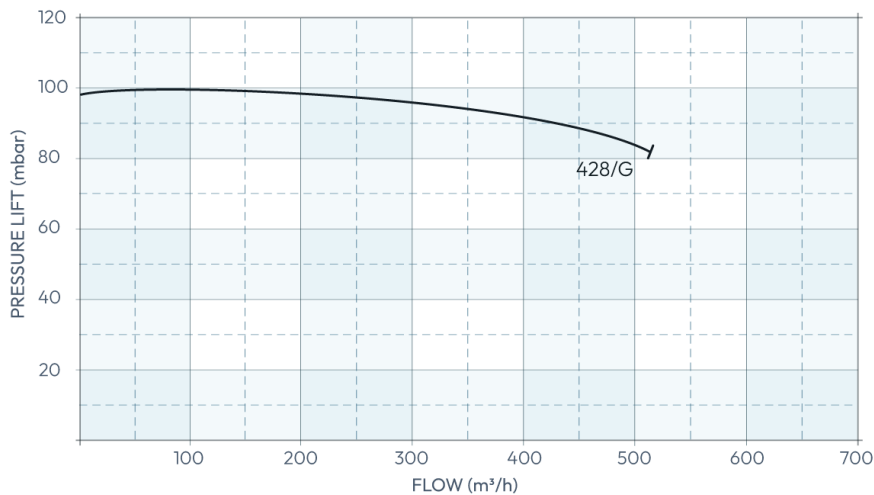
Product supplied may differ from image based on pressure requirements. Image represents Model 428 High Velocity Blower.

	428/G
Motor	2.2 kW
Weight	36 kg
Phase	3
Noise level	82 dB(A)
Voltage	380 V - 480 V
Frequency	50 / 60 Hz
Run current	4.7 A

*Noise levels have been measured at a distance of 1m from the blower.

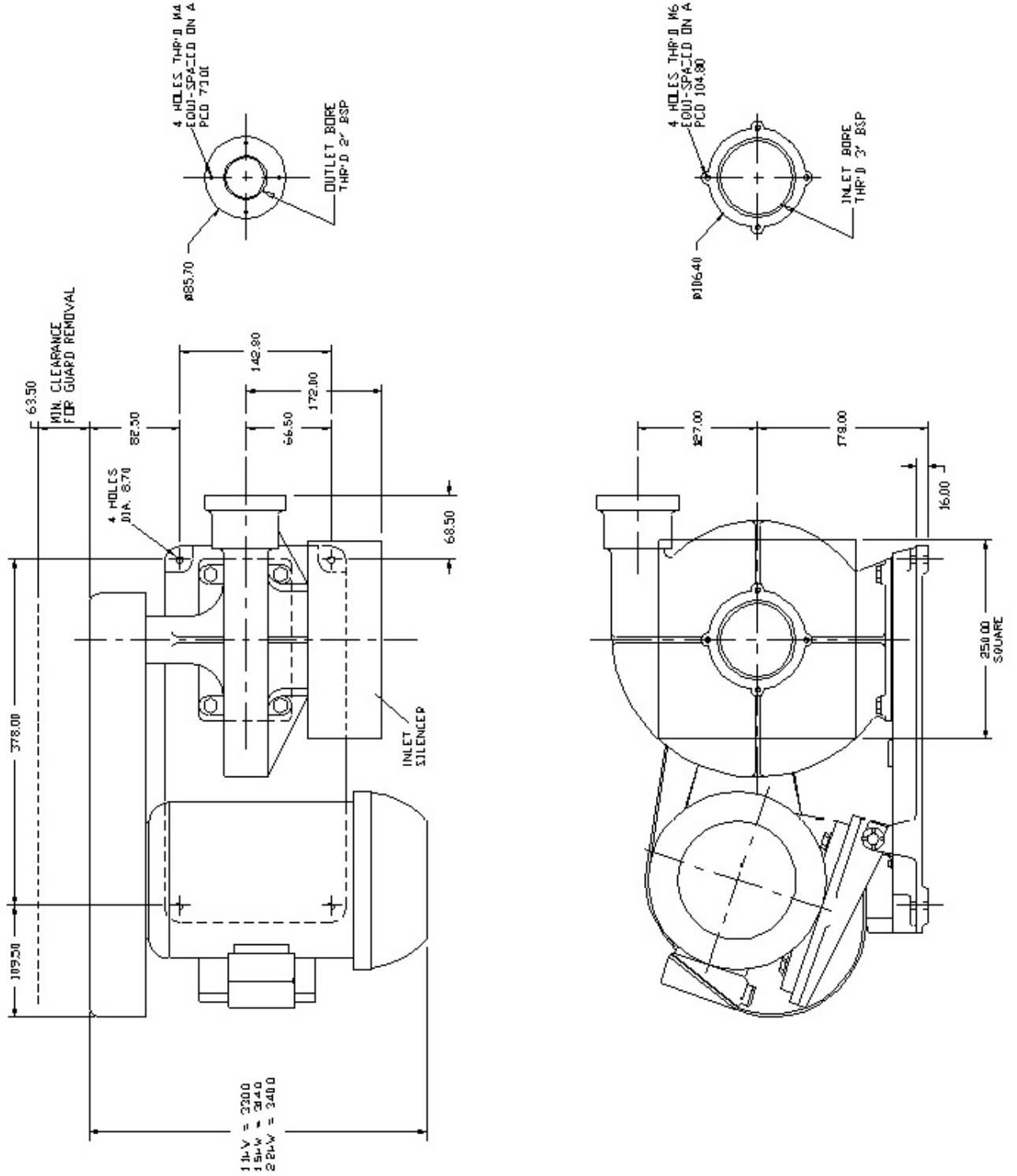
BLOWERS - HIGH VELOCITY

PERFORMANCE CURVE



Model 428/G

DIMENSIONAL DRAWING



All dimensions in mm